

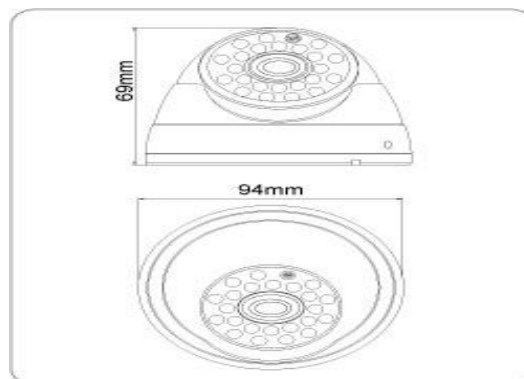
## DAY & NIGHT IR DOME CAMERA

# ENOS DIT20-80S



### Product Features:

- 1/3" SUPER HAD CCD
- 24 PCS Ø 5MM IR LEDs
- IR Range 20 Meters
- Built-in 3.6mm Broad Lens



## SPECIFICATIONS

Model	ENOS DIT20-80S
Camera Device	Color Camera
Image Sensor	1/3" PANASONIC SUPER HAD CCD
Effective Pixels	PAL:795(H)x596(V) NTSC: 811(H)x508(V)
Weight	450g
Signal System	PAL / NTSC
Horizontal Resolution	800TVL
Minimum Illumination	0.1 Lux / F2.0
Electronic Shutter	NTSC:1/60-100,000, PAL:1/50-100,000
S/N Ratio	>48dB
Gamma	0.45
White Balance	Auto
AGC	ON/OFF (Switchable)
Lens	3.6mm Board Lens (Optional 4mm Or 6mm Board Lens)
Video Output	1.0Vp-p, 75Ohms
IR Wave Length	850nm
Power Supply	DC 12V±10%
Power Consumption	Less than 5.0W
LED	24 pcs Ø 5mm IR LEDs
IR Distance	20M



YOUR'S SMART SECURITY PROVIDER

### GENX TECHNOLOGY (M) SDN BHD

NO.68-2, JALAN DWITASIK, DATARAN DWITASIK, BANDAR SRI PERMAISURI, 56000 KUALA LUMPUR, MALAYSIA  
 TEL: 03-9171 1988 FAX:03-9171 4988

